

# DIAMOND

## Fiber Optic Components

### CABLE ASSEMBLIES AND ADAPTERS

The new "Crocodile Splice Unit" is a Diamond device (patent pending) which provides a simple way to repair and install fiber optic fibers and cables as well as to add cable extensions to existing fiber optic installations. When used for repairs, replacing already installed cables can be avoided. This remarkably reduces maintenance expenses and wasted time while re-establishing interrupted fiber optic connections. The new "Crocodile Splice Unit" is a further development of the well-known crocodile alberino fusion system and can be terminated using the new ZEUS D50 Fusion Field Termination Kit and only a few additional tools and accessories. The "Crocodile Splice Unit" is available for SM and MMTight Buffered (TB) fibers 250µm, 600µm and 900µm and cables (1.6 to 3.1 mm). Other fiber types can also be accommodated upon request.

### FEATURES AND BENEFITS

- ▶ Simple, fast and reliable field repair and installation  
*reduces operator error*
- ▶ Solution based on standard splicing process  
*today's most precise and reliable solution for permanent fiber connections*
- ▶ Integrated, small and robust splice protection and cable boots  
*avoids cost and reduces the space requirements associated with additional splice trays and boxes*
- ▶ Compact, light weight

### AVAILABLE AS

- ▶ Crocodile Splice Unit, (to be terminated with Diamond Fusion equipment).

### SPECIFICATIONS

	MULTIMODE / SINGLE MODE		UNITS	TEST CONDITIONS
	typ.	max.		
Insertion Loss (IL)	0.1	0.15	dB	IEC 61300-3-4; $\lambda = 1300/1550\text{nm}$
Operating temperature	-40/+85*		°C	
Storage temperature	-40/+85*		°C	

\* May be further limited by cable specifications

### Crocodile Splice Unit

SINGLE MODE  
MULTIMODE



Crocodile Splice Unit (cable version), based on 2.5mm crocodile construction.



Crocodile Splice Unit (fiber version), based on 1.25mm crocodile construction.



Crocodile Patchcord as cable extension



Crocodile/connector patchcord as termination



DIAMOND SA • Via dei Patrizi 5 • CH-6616 Losone - Switzerland  
Tel. +41 91 785 45 45 • Fax +41 91 785 45 00 • e-mail info@diamond-fo.com

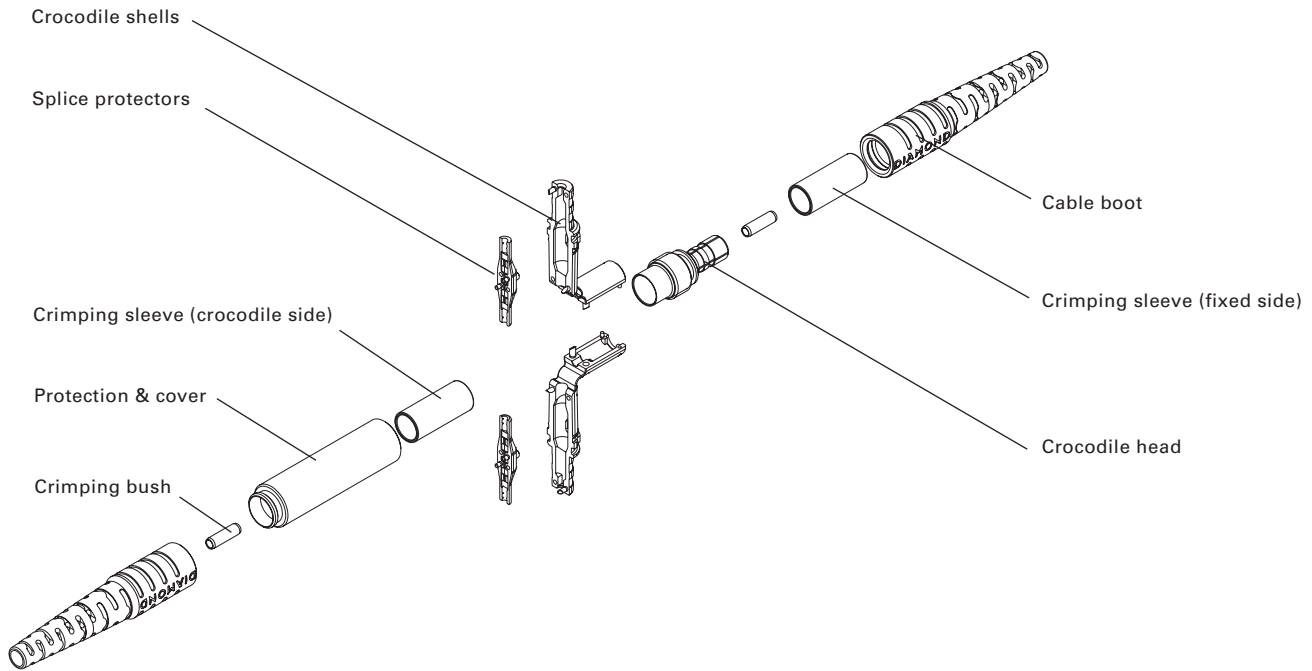
[www.diamond-fo.com](http://www.diamond-fo.com)

Specifications subject to change without notice

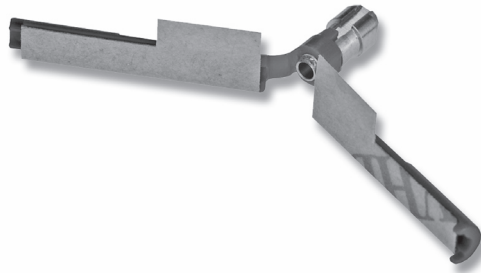
BDD 1951164 089

C-1

**SINGLE PARTS OF THE CROCODILE SPLICE UNIT**  
(cable version based on 2.5mm crocodile construction)



**SINGLE PARTS OF THE CROCODILE SPLICE UNIT**  
(fiber version based on 1.25mm crocodile construction)



**CROCODILE FUSION EQUIPMENT**

Crocodile Fusion equipment is based on DIAMOND's ZEUS D50 Fusion Field Termination Kit and provides all the tools and instructions required to easily repair and install fiber optic cabling.

**ORDER INFORMATION**

Please contact your local Diamond representative for additional information.